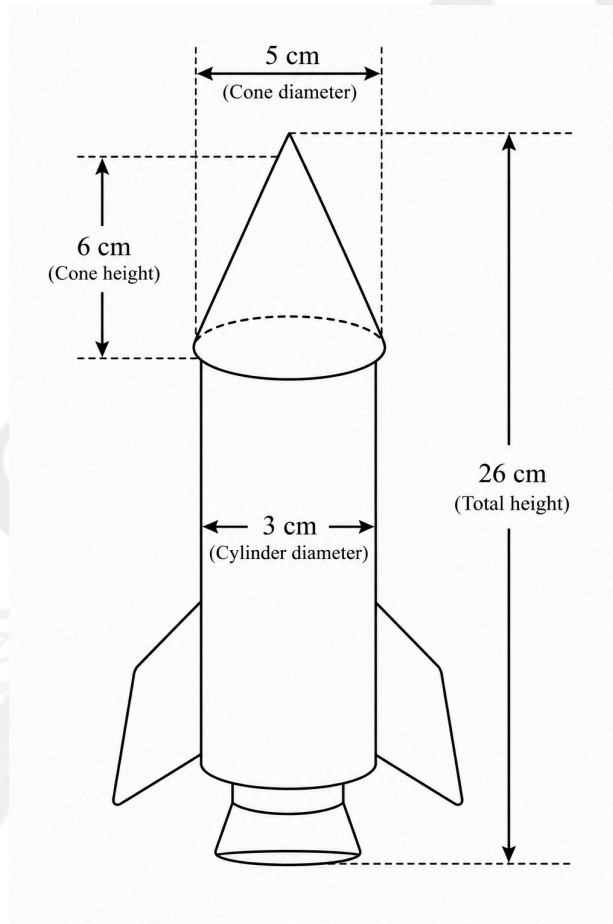


Class 10 Mathematics - Surface Areas and Volumes

Name: _____

Date: _____

Medium Worksheet 4



Questions

1. Name the major solids used in the rocket.
2. Find the height of the cylindrical portion.
3. Find the radius of the cone.
4. Find the radius of the cylinder.
5. Why is a ring-shaped region visible at the base of the cone?
6. Which formula is used to find the painted area of the cylindrical part?

Answer Key

1. Cone and Cylinder used mainly.
2. $26 - 6 = 20$ cm
3. 2.5 cm
4. 1.5 cm
5. The cone base is larger than the cylinder base.
6. CSA of Cylinder + Area of One Circular Base